

Features

- Small size, the light, trigger, power inside;
- DB-9 interface, plug-to-play
- Long life, flash time up to 10^9 times ;
- Wide wavelength: 185nm-2000nm, more UV energy
- Accurate light position, ± 0.05 mm
- Low power, only 5W
- No need warm-up time;

Application

- UV, visible, infrared analysis
- absorbance
- reflection
- Medical Diagnostics
- Protein & Nucleic Acid Analysis
- Remote Sensing

Description

ATG1030 Pulsed Xenon Lamp is a high flash rate, short-arc xenon lamp for the ultraviolet (UV). With an output from 200-2000 nm, it is ideal for absorbance and reflection measurements. Because of the shorter duty cycle the ATG1030 is also useful for fluorescence and phosphorescence measurements.

ATG1030 operates at speeds up to 1 KHz, offers excellent pulse-to-pulse stability. It can be triggered by an external TTL pulse from fiber spectrometer (such as ATP2000P from Optosky) and offers software control of the flash rate.

The spectrometer sampling can be altered so that a variable number of flashes are observed during each integration period. ATG1030 has an SMA 905 output connector and seamlessly integrates with Optosky miniature fiber spectrometers and accessories, including optical fibers, cuvette holders, probes and other sampling optics.



1 Parameters

PN	Orientation	Capacity(μ F)	Voltage /V	Main Voltage /V	Input Energy /mJ	Maxim Freq /Hz	Output Power /W
ATG1030-000	Vertical	0.047	3.2	400	3.8	530	2.0
ATG1030-100			4.0	500	5.9	530	3.1
ATG1030-010	Horizontal		4.4	550	7.1	530	3.7
ATG1030-110			4.8	600	8.5	530	4.5
ATG1030-001	Vertical	0.11	3.2	400	8.8	530	4.7
ATG1030-101			4.0	500	13.8	382	5.0
ATG1030-011	Horizontal		4.4	550	16.6	300	5.0
ATG1030-111			4.8	600	19.8	252	5.0
ATG1030-002	Vertical	0.22	3.2	400	17.6	284	5.0
ATG1030-102			4.0	500	27.5	182	5.0
ATG1030-012	Horizontal		4.4	550	33.3	150	5.0
ATG1030-112			4.8	600	39.6	126	5.0
ATG1030-003	Vertical	0.28	3.2	400	22.4	223	5.0
ATG1030-103			4.0	500	35	143	5.0
ATG1030-013	Horizontal		4.4	550	42.4	118	5.0
ATG1030-113			4.8	600	50.4	100	5.0

Input Parameters

Power Voltage: 1&2 (vin+) DC 11-28V

6&7 (vin-)

Trigger Voltage: 5 (trig+) 4.5-5.5v Pulse

4 (trig-)

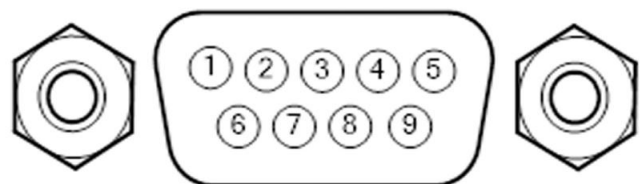
Adjust Voltage: 3 (vref+) DC 3.2-4.8V

8 (vref-)

Input current: 0.72-1.4A

Input Resistance: 390 Ω

DB-9 接口示意图



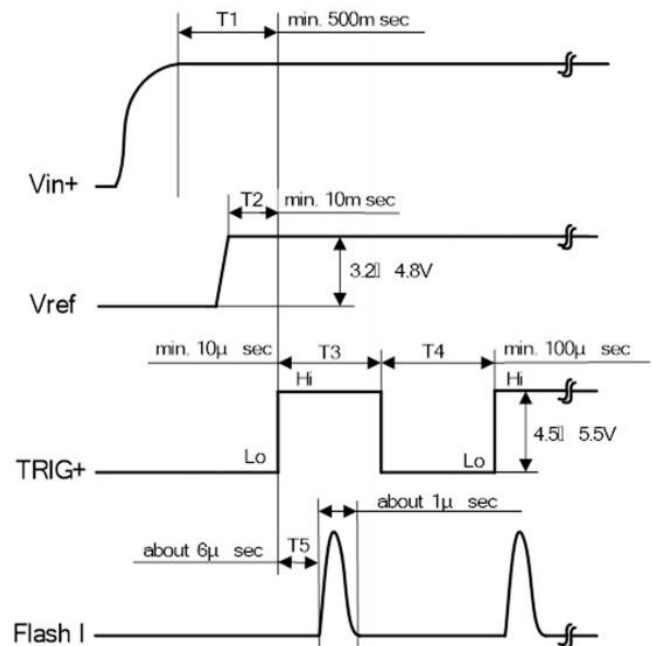
Output Parameters

Discharge Voltage: 400-600V
 Average Power: 5w
 Discharge Cap: 0.047、0.11、0.22、0.28
 Spectral range: 185-2000nm
 Power stability: $\leq 2\%$
 Life: 10^9 times

Work conditions:

Work temperature: 0-40°C
 Storage temperature: -40-90°C
 Work humidity: <95%RH
 Cool mode: natural cooling

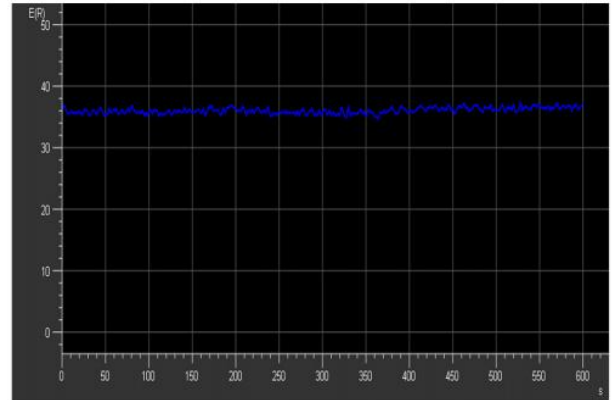
工作时序



光谱分布范围 (190-1100nm)



稳定性 (波动 $\leq 2\%$)



Pic. 1 spectral range (190-1100nm) and power stability

2 Application

- UV, visible, infrared analysis
- absorbance

- reflection
- Medical Diagnostics
- Protein & Nucleic Acid Analysis
- Remote Sensing
-

3 Electric interface



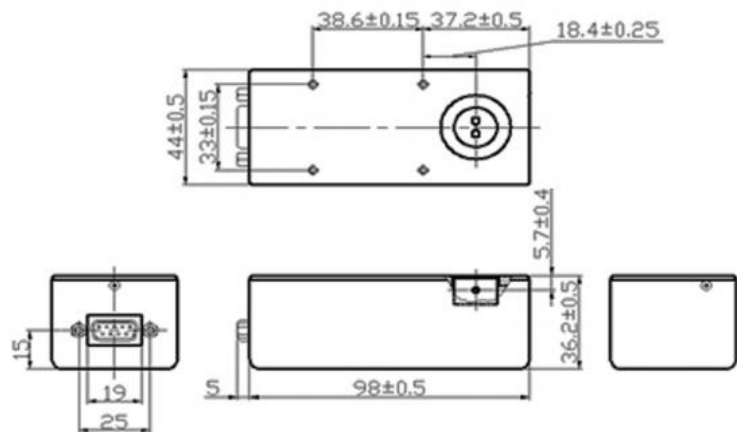
4 Size

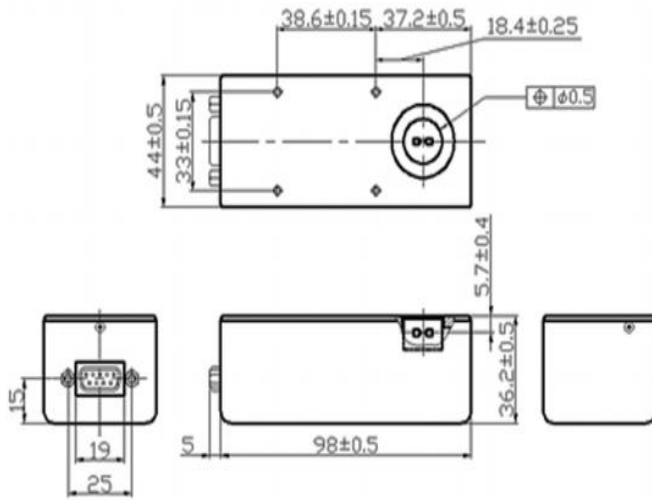
ATG1030-000

ATG1030-001

ATG1030-002

ATG1030-003





ATG1030-010

ATG1030-011

ATG1030-012

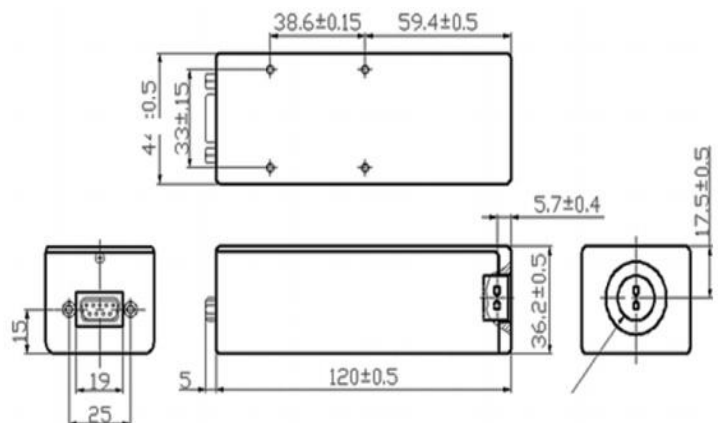
ATG1030-013

ATG1030-100

ATG1030-101

ATG1030-102

ATG1030-103

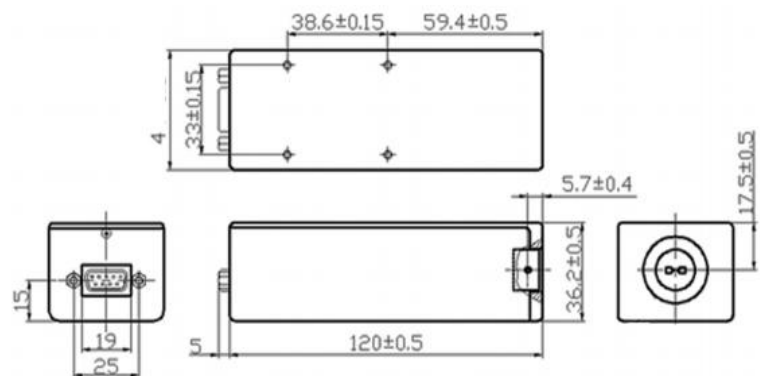


ATG1030-110

ATG1030-111

ATG1030-112

ATG1030-113



5